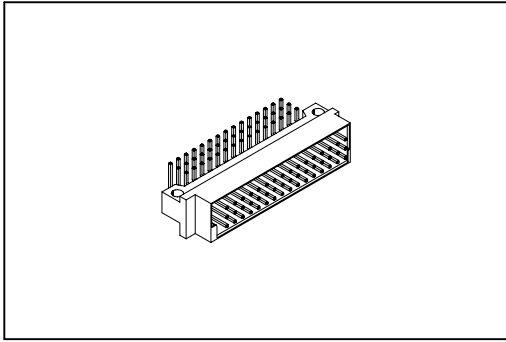


# 9001 Series

## DIN41612 Half C Type Male



### Material:

Housing: 30% Glass Filled PBT UL94V-0.

Contacts: Brass.

### Electrical Characteristics:

Current Rating: 2 A.

Dielectric Withstanding Voltage: AC 1000V.

Insulator Resistance: 1000MΩ min.

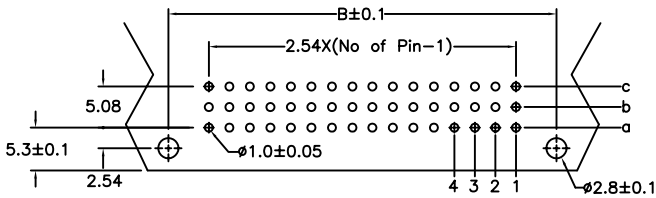
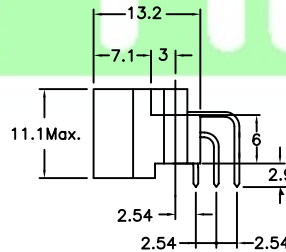
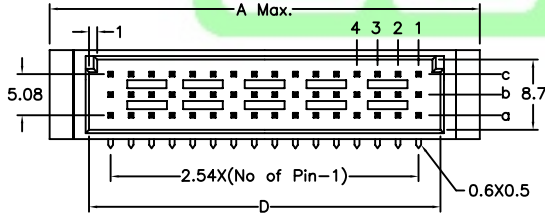
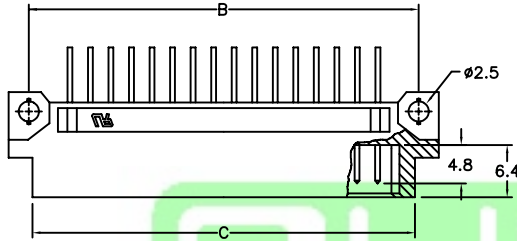
Contact Resistance: 30mΩ max.

Operating Temperature: -55°C ~ +105°C .

### Features:

\* UL, cUL listing.

\* Mates with Female 3Row Half  
9001-16 Half C Type.  
9001-18 Half R Type.



P.C. Board Layout

| Dimension     |          |                    |                            |         |
|---------------|----------|--------------------|----------------------------|---------|
| Position      | A        | B                  | C                          | D       |
| 48/32/24/16/8 | 54.00    | 48.26              | 47.40                      | 44.60   |
| 30/15         | 38.10    | 33.02              | 32.16                      | 29.36   |
| Pitch         | Position | Rows with Contacts | Contact Arrange            |         |
| 2.54mm        | 48       | a b c              | +++++c<br>+++++b<br>+++++a | 4 3 2 1 |
|               | 32       | a - c              | +++++c<br>+++++b<br>+++++a | 4 3 2 1 |
|               | 30       | a b c              | +++++c<br>+++++b<br>+++++a | 4 3 2 1 |
| 5.08mm        | 16       | a - -              | +++++c<br>+++++b<br>+++++a | 4 3 2 1 |
|               | 24       | a b c              | +++++c<br>+++++b<br>+++++a | 4 3 2 1 |
|               | 16       | a - c              | +++++c<br>+++++b<br>+++++a | 4 3 2 1 |
|               | 15       | a b c              | +++++c<br>+++++b<br>+++++a | 4 3 2 1 |
| 5.08mm        | 8        | a - -              | +++++c<br>+++++b<br>+++++a | 4 3 2 1 |

## Ordering information

|                        |                                    |                     |                       |                           |   |   |  |                                |
|------------------------|------------------------------------|---------------------|-----------------------|---------------------------|---|---|--|--------------------------------|
| <u>9001-</u><br>Series | <u>1</u><br>1: 2.54mm<br>2: 5.08mm | <u>5</u><br>5: Male | <u>48</u><br>Position | <u>1</u><br>1: Dip Length | <u>C</u><br>C: Dip Tin<br>Contact Gold<br>G: Gold | <u>00</u><br>00: G/F<br>10: 10 μ"<br>15: 15 μ"<br>30: 30 μ" | <u>L1</u><br>Blank: W/O Lock<br>L1: With Lock<br>See Page CA04 | <u>A</u><br>A: Tray<br>Package |
|------------------------|------------------------------------|---------------------|-----------------------|---------------------------|---|---|--|--------------------------------|

\*Standard Gold Flash.