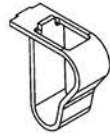
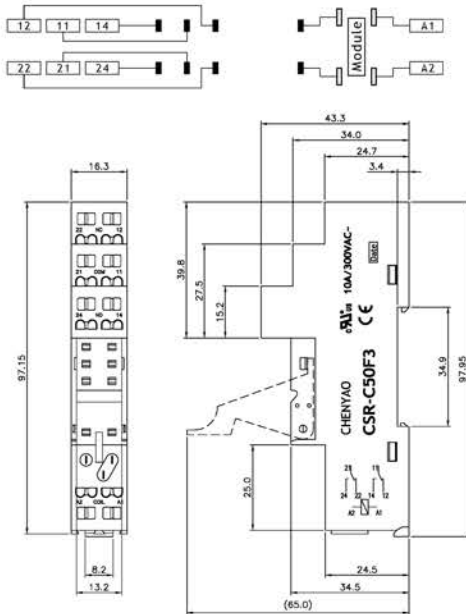


CSR-C50F3

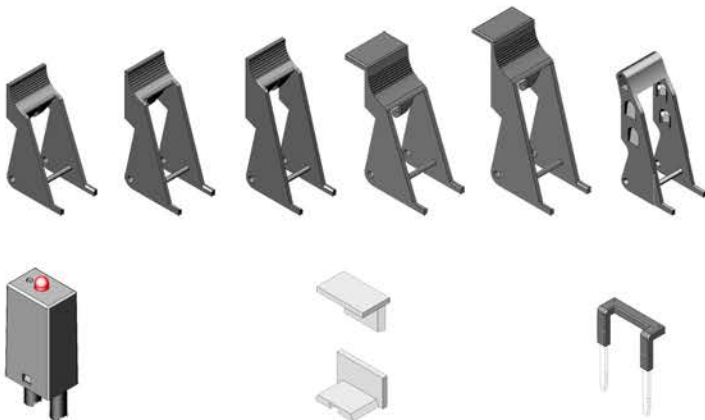


UL/CUL No: E306487, CSA No: 2347925

Dimensions



Accessories



Main Feature

- Socket with cage clamp terminal.
- No reduction of protection class or creepage/clearance with plastic retainer.
- Easy replacement of relays.
- Retainer clip with ejection function for relays of 16, 20 or 25mm height.
- Socket can be used as connector for diagnosis function.
- Sockets and accessories: RoHS compliance (Directive 2002/95/EC).
- Sockets with cage clamp-type terminal for DIN-rail mounting.

Specifications

Rated current.....12A
 Rated voltage / max. Switching voltage AC.....300VAC
 Dielectric strength coil-contact circuit.....4,000V_{rms}
 Clearance / creepage coil-contact circuit.....≥8/8mm
 Material group of insulation parts.....≥ IIIa
Insulation to IEC 60664-1
 Type of insulation coil-contact circuit.....basic
 Open contact circuit.....functional
 Rated insulation voltage.....250V
 Pollution degree.....2
 Rated voltage system.....230/400V
 Over voltage category..... III
RoHS Directive 2002/95/EC
 Sockets, retainers and marking tag.....compliant
 Degree of protection DIN 40050.....IP20
 Ambient temperature range.....-25... +70 °C
 Terminals.....cage clamp
 Wire strip length.....7mm
Max wire size
 Solid wire.....2X(0.2...1.5)mm²
 Stranded wire.....2X(0.2...1.5)mm²
 Insertion cycles.....A (10)
 Max. Insertion Force total..... -
 Mounting distance.....0, dense packing
 Weight.....45g
 Packaging unit.....20 pcs.

Order Information

CSR - C 50 F3 - □	
Special remark	NII (for standard) R (for level function different)
Insulation levels	F2 (for two levels) F3 (for three levels)
Terminal pitch	35 (for 3.5mm terminal pitch) 50 (for 5.0mm terminal pitch)
Contact form	P (for PCB terminal) S (for screw type) C (for cage clamp type)
Item	CSR